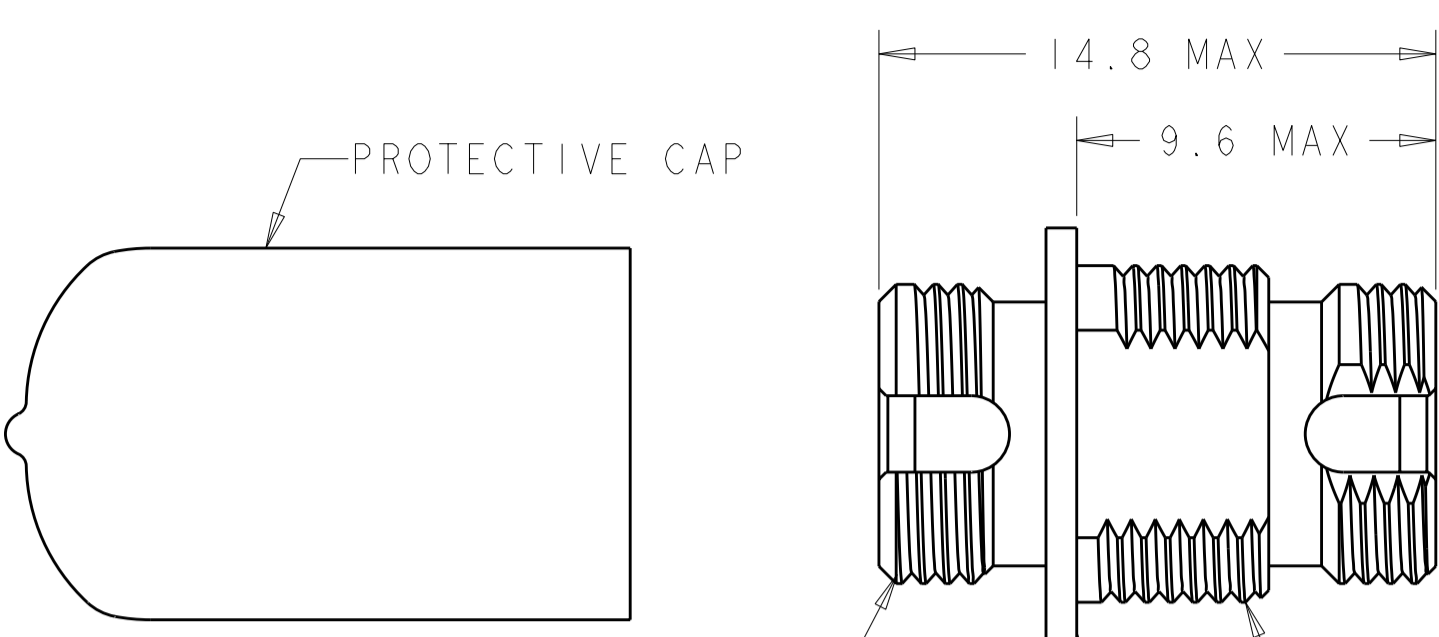


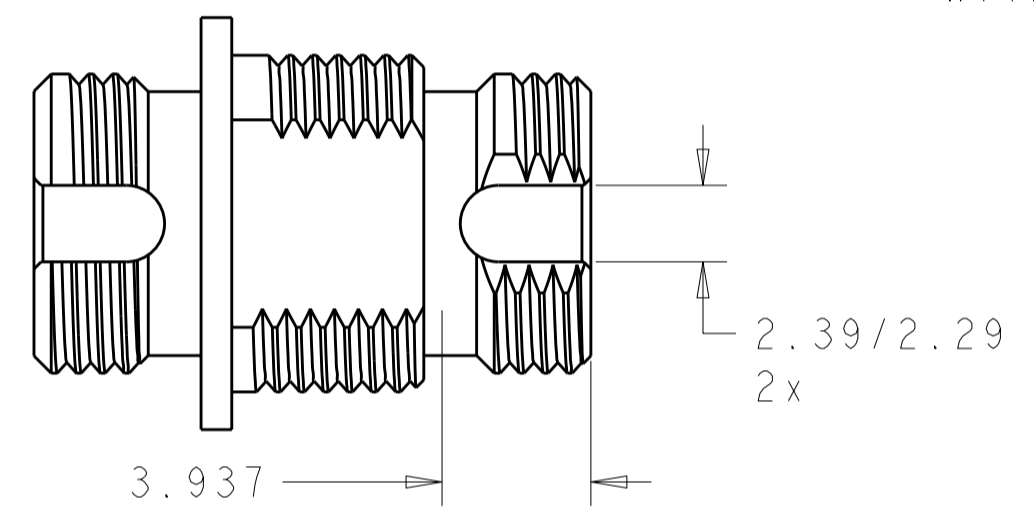
THIS DRAWING IS UNPUBLISHED. RELEASED FOR PUBLICATION 20
 © COPYRIGHT 20 BY TYCO ELECTRONICS CORPORATION. ALL RIGHTS RESERVED.

LOC	DIST	REVISIONS			
P	LTR	DESCRIPTION	DATE	DWN	APVD
CE	00				
P		REVISE PER 0A00-0411-04	09AUG2004	BB	SB
PI		REVISED PER ECO-09-025699	31DEC2009	KK	AEG

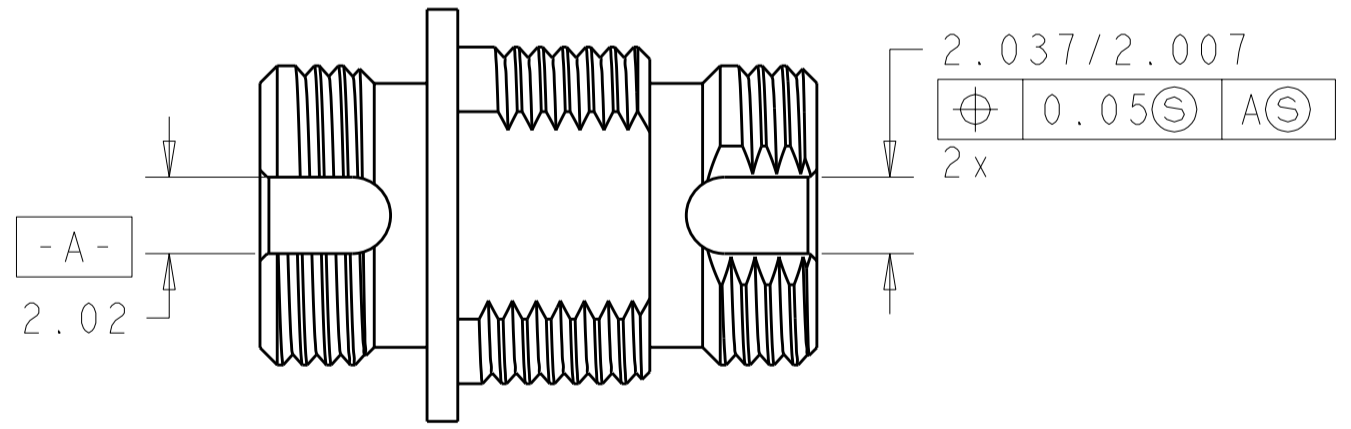


M8 x 0.75-6g BOTH ENDS
 HOUSING ADAPTER WITH SLEEVE
 M9 x 0.75-6g
 LOCKWASHER
 M9 x 0.75-6H HEX NUT

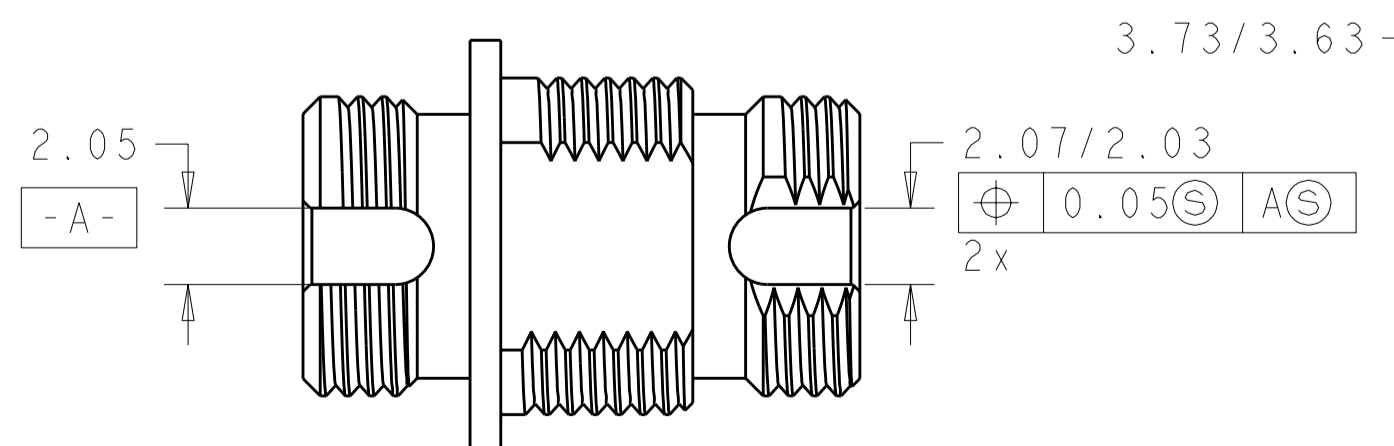
- 1 MATERIAL:
 HOUSING, INSERT, HEX NUT: COPPER ALLOY
 SLEEVE: SEE TABLE
 LOCK WASHER: STEEL
 PROTECTIVE CAP: VINYL
- 2 FINISH:
 HOUSING, INSERT, HEX NUT, LOCK WASHER: NICKEL PLATE.
- 3 BULK PACKAGED.
- 4 MAXIMUM RECOMMENDED PANEL THICKNESS 1.65.
- 5 OBSOLETE PARTS: OBSOLETE CIS STREAMLINING PER D.RENAUD/D.SINISI



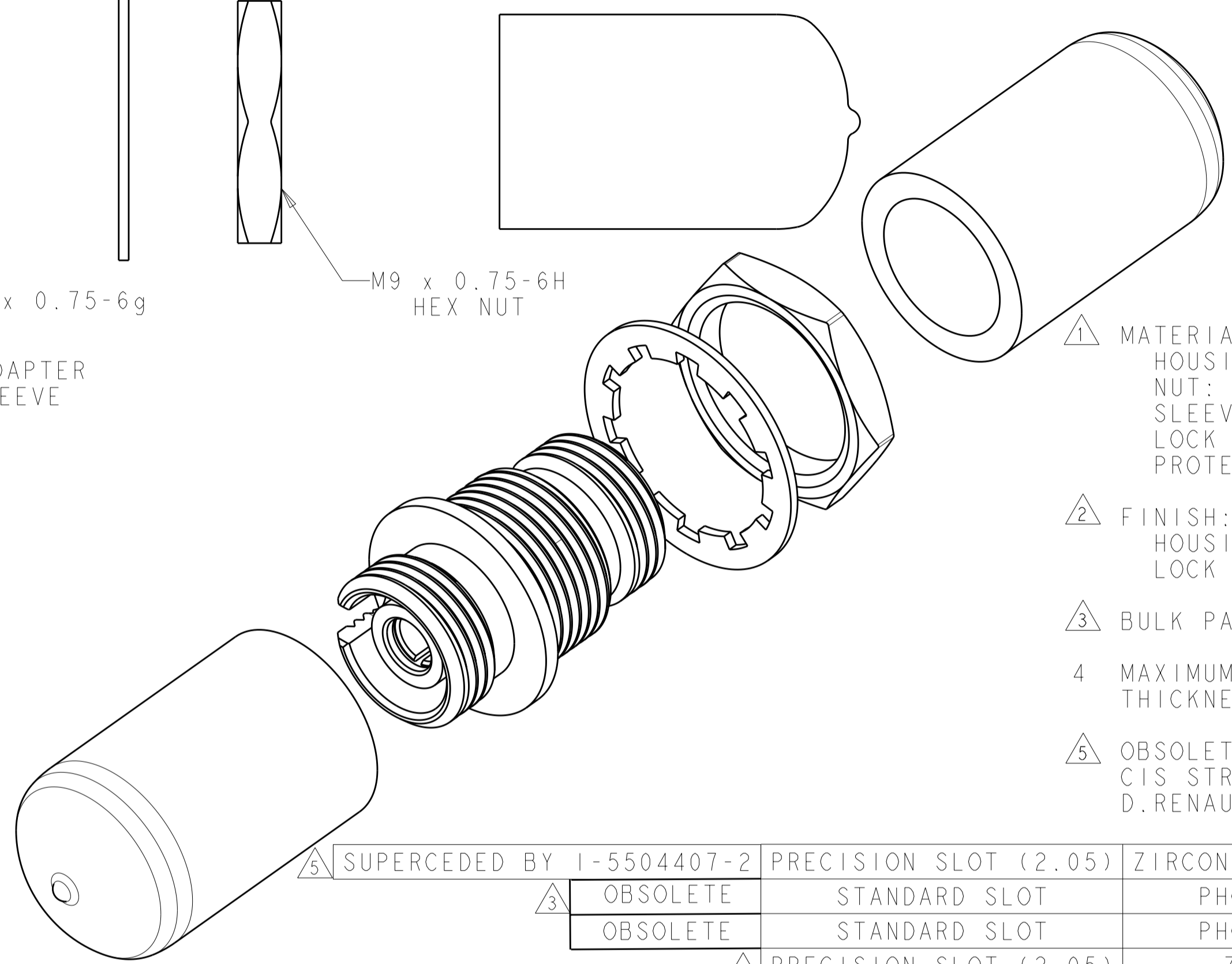
STANDARD SLOT



PRECISION SLOT (2.02)



PRECISION SLOT (2.05)



RECOMMENDED PANEL CUTOUT $\phi 9.3/9.1$

DESCRIPTION	SLEEVE MATERIAL	PART NUMBER
5 3 SUPERCEDED BY 1-5504407-2	PRECISION SLOT (2.05)	ZIRCONIA (LOW LOSS) 1-504407-2
3	OBSOLETE STANDARD SLOT	PHOS BRONZE 1-504407-1
3	OBSOLETE STANDARD SLOT	PHOS BRONZE 1-504407-0
3	PRECISION SLOT (2.05)	ZIRCONIA 504407-9
	PRECISION SLOT (2.05)	ZIRCONIA 504407-8
	PRECISION SLOT (2.02)	ZIRCONIA 504407-7
5 3 SUPERCEDED BY 5504407-6	PRECISION SLOT (2.02)	ZIRCONIA 504407-6
3	OBSOLETE PRECISION SLOT (2.02)	PHOS BRONZE 504407-5
3	STANDARD SLOT	ZIRCONIA 504407-4
	STANDARD SLOT	ZIRCONIA 504407-3
5 3 SUPERCEDED BY 5504407-2	STANDARD SLOT	PHOS BRONZE 504407-2
	STANDARD SLOT	PHOS BRONZE 504407-1

THIS DRAWING IS A CONTROLLED DOCUMENT FOR TYCO ELECTRONICS CORPORATION. IT IS SUBJECT TO CHANGE AND THE CONTROLLING ENGINEERING ORGANIZATION SHOULD BE CONTACTED FOR THE LATEST REVISION.		DWN B. BRIGGS 09AUG2004	Tyco Electronics Harrisburg, PA 17105-3608	
DIMENSIONS: mm		CHK S. BUCHTER 09AUG2004	NAME ADAPTER KIT, FC, PRECISION AND STANDARD SLOT	
TOLERANCES UNLESS OTHERWISE SPECIFIED: 0 PLC ± 1 PLC ± 2 PLC ±0.25 3 PLC ± 4 PLC ± ANGLES ± FINISH		APVD S. BUCHTER 09AUG2004	RESTRICTED TO	
MATERIAL		PRODUCT SPEC	SIZE A2	CAGE CODE 00779
		APPLICATION SPEC	DRAWING NO 504407	SCALE 5:1
		WEIGHT	SHEET 1	OF 1
CUSTOMER DRAWING			REV PI	